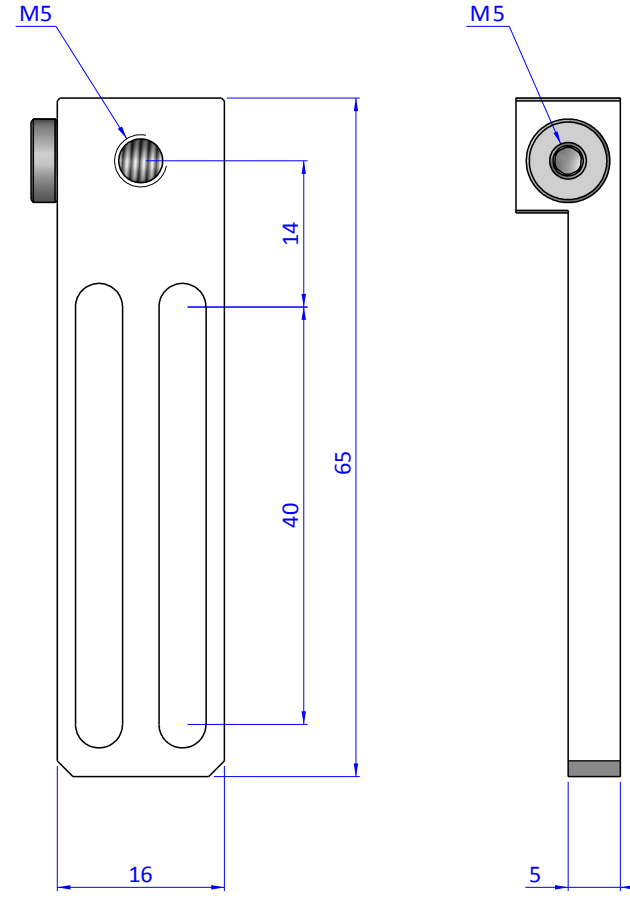
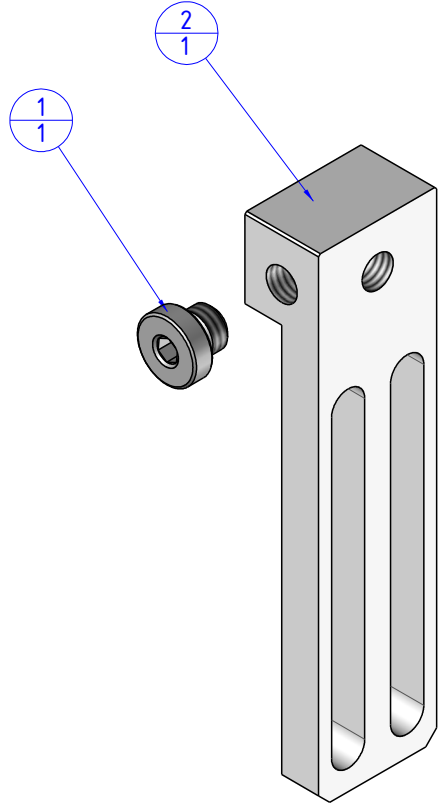


THE PROPERTY OF THE DRAWING IS ESTABLISHED BY LAW. IT IS FORBIDDEN TO PRODUCE OR SHOW IT TO THIRD PARTY, WITHOUT A WRITTEN AGREEMENT.

Item	Name	Q.ty
1	CA.08.14.013	1
2	WLS.M5.M5	1



Format A3

UNI 936-76

<b>FP SERVICES</b> AUTOMATION			DESIGNED FROM FPSERVICES	REVIEW A
GENERAL TOLERANCE UNI - ISO 2768 CLASSE f	DESCRIPTION CA.WLS.M5.M5	DATE 27/02/2019	WEIGHT 0,010kg	CODE CA.WLS.M5.M5